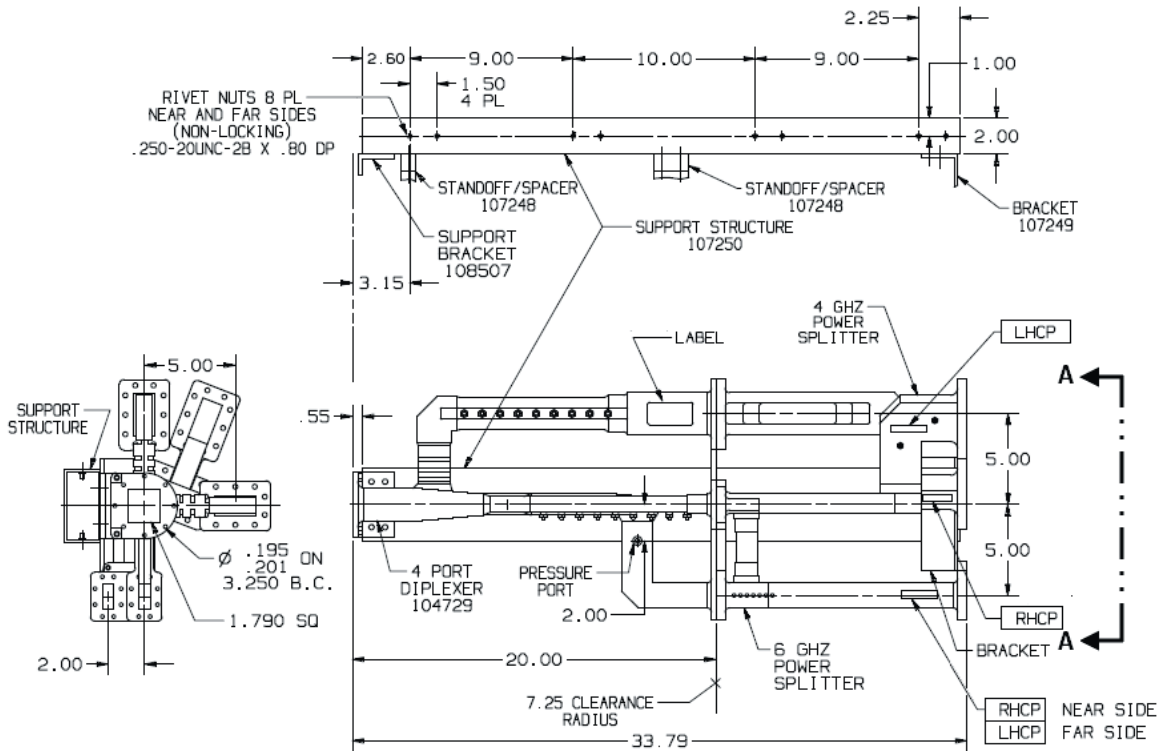
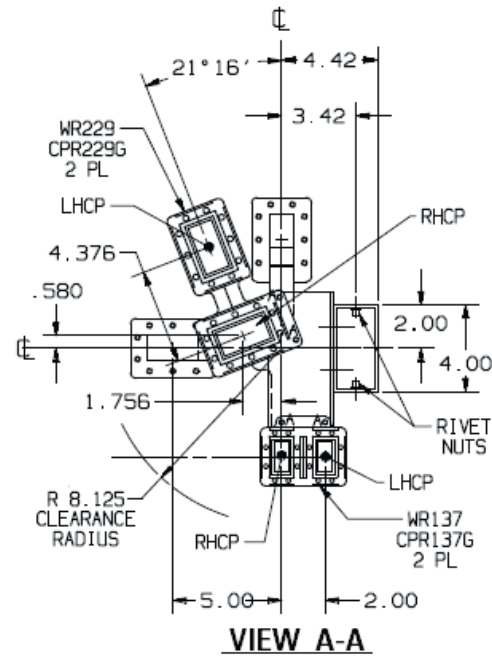


C-Band 4-Port Diplexer, Rx/Tx, Circular Polarized, 1.03 AR

P/N: 106824-1

SPECIFICATIONS	
FREQUENCY BAND	Rx 3.625 - 4.200 GHz Tx 5.850 - 6.425 GHz
INSERTION LOSS	Rx 0.15 dB MAX Tx 0.15 dB MAX
VSWR	Rx 1.20 : 1 MAX Tx 1.15 : 1 MAX
ISOLATION	Tx/Rx 85.0 dB MIN Rx/Tx 85.0 dB MIN Tx/Tx 23.0 dB MIN Rx/Rx 20.0 dB MIN
AXIAL RATIO	1.03 (0.25 dB)
POWER HANDLING	5.0 kW CW
PRESSURIZATION	SEALED TO 2.0 PSI
FINISH	Common Port CAD PLATED PER QQ-P-416, TYPE II, CLASS 2
	Exterior WHITE PAINT, COLOR #17985 PER FED-STD-595



GENERAL DYNAMICS SATCOM Technologies

3111 Fujita Street • Torrance, CA 90505 USA • Telephone: +1-310-539-6704 • Fax: +1-310-593-7463

Email: torrance@gdsatcom.com • Web Site: www.gdsatcom.com/rfproducts.php

© 2013 General Dynamics. All rights reserved. General Dynamics reserves the right to make changes in its products and specifications at anytime and without notice. All trademarks indicated as such herein are trademarks of General Dynamics. All other product and service names are the property of their respective owners. © Reg. U.S. Pat. and Tm. Off.

Doc Rev 05/13